

Tubular Brass

Model 512-U Direct Drain

For most tubs 14" - 16" high

Sturdy 1.5" 17g Tubular Brass
No Compression Slip-Joints
Slip 'N Solder®

SPECIFICATIONS

FEATURES:

- Simply Solder two tubes
- Metal strainer body for cast iron or plastic tubs
- Designed for heavy-duty use in hotels, motels, and rental property.
- Replaceable drip-proof Buna-N-Seal
- Retainer plate for overflow ell

PATENTS:

- <https://www.watcomfg.com/patents>

THREAD SIZE:

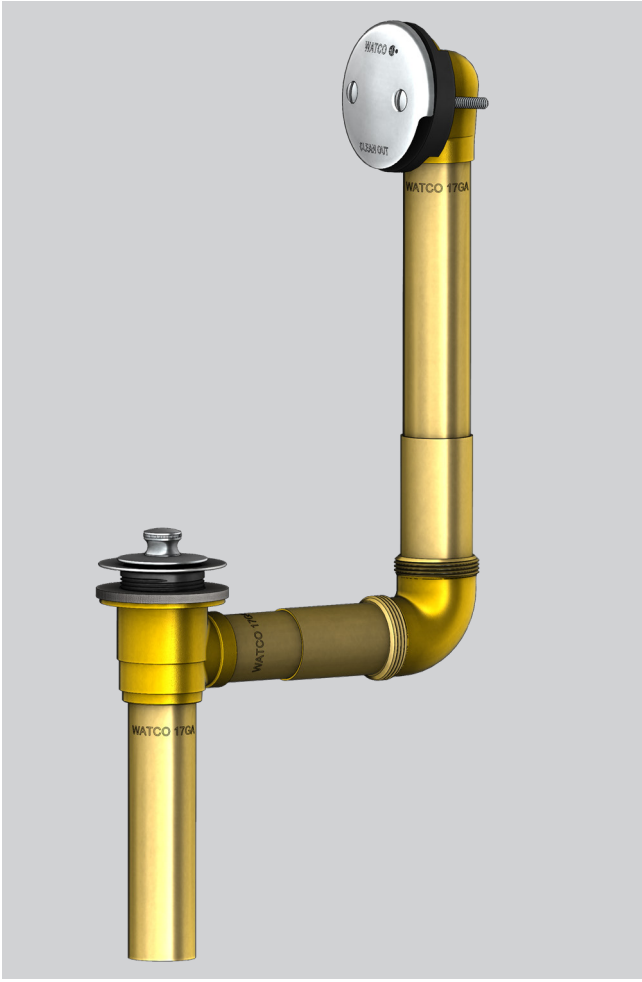
- 1 1/2" – 11 1/2 NPSM (Coarse Thread)
- 1.865" Major Diameter (outside thread diameter)
- 11.5 threads per inch

PIPING:

- 17-gauge tubular brass

Finishes Available in the 512 Series:

Tube Closures:	PUSH PULL®	LIFT & TURN	PRESFLO®	FOOT ACT.
CP- Chrome Plated	•	•	•	•
AP- Aged Pewter	•	•	•	
BB- Brushed Bronze	•	•	•	•
BN- Brushed Nickel	•	•	•	•
BO- Bone	•	•		
BS- Biscuit	•	•		
BZ- Oil-Rubbed Bronze	•	•	•	•
CB- Chrome Brushed	•	•	•	•
NP- Nickel Polished	•	•	•	•
PB- Polished Brass	•	•	•	•
WH- White	•	•		•
WI- Wrought Iron	•	•	•	•



 **ADA** PRESFLO® (PF) and Foot Actuated (FA) only

OPTIONS:

- Special lengths available:
- Overflow extension (add code "EXlength")
example: EX6
- Drain extension (add code "Dlength")
example: D4

See price list for complete item numbers and available options.

When ordering, please specify complete item number and any applicable option codes.

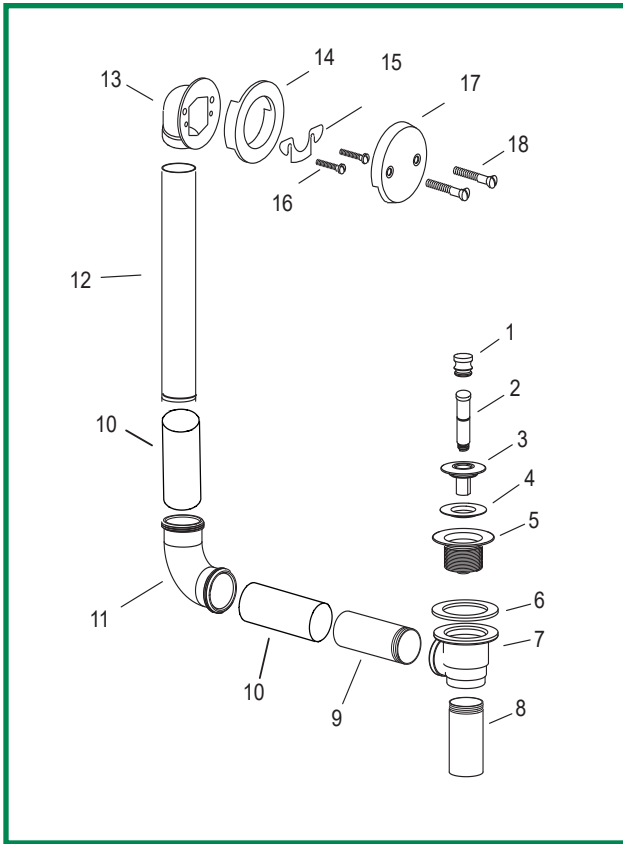
WATCO



Always a step ahead®

For More Information Contact:
WATCO Manufacturing Company
1220 South Powell Road
Independence, MO 64057-2724
Ph. 816-796-3900 • FAX 816-796-0875
www.watcomfg.com

512-U Direct Drain Series Parts List



Item	Part #	Description
1	01010__*	Knob, Brass
2	11510	Friction Ring (11505) and Post (11532)
3	01013__*	Stopper, Brass
4	11507	Seal, 1 1/16" dia.
5	01016__*	Strainer Body, Brass, 1.865" - 11.5 - 1.25"
6	10696	Drain Ell Washer, 1.5", gray
7	44010	Direct Drain Tee w/Internal Threads, Brass
8	17GA-6	Tail Piece, 17g Brass, 6.00"
9	17GA-4.75	Drain Ell Tube, 17g Brass, 4.75"
10	41021	1.058 IP Slip Tube 17GA 3"
11	44009	Brass Elbow for Direct Drains
12	17GA-15.62	Overflow Ell Tube, 17g Brass, 15.625"
13	44003	Brass Overflow Ell
14	40675	Overflow Ell Washer for Brass
15	11530	Retainer Plate
16	41540	Brass Screw for Retainer Plate
17	01003__*	2-Hole Overflow Plate, Metal
18	01024__*	Screw for Overflow Plate, 2.25"

*Please indicate desired finish.

OPTIONAL TUB CLOSURES FOR 512-SERIES BATH WASTES (PUSH PULL® ALSO SHOWN ABOVE)

PUSH PULL® Coarse Thread		LIFT & TURN Coarse Thread		PRESFLO® Coarse Thread		FOOT ACTUATED Coarse Thread	
	<ol style="list-style-type: none"> 01010CP 01010__* 11510 01013CP 01013__* 11507 01016CP 01016__* 		<ol style="list-style-type: none"> 01010CP 01010__* 11079 11088 11290CP 01013__* 11507 11492CP 01016__* 		<ol style="list-style-type: none"> 11145CP 11145__* 11132 11060CP 11060__* 96039: Suction Cup for removing stopper 		<ol style="list-style-type: none"> 38412-CP 38412__* 11492-CP 01016__*

***If finish other than Chrome is desired, please use this part number and indicate desired finish.**